



ROTARY Compressor Condensing Units



HITACHI

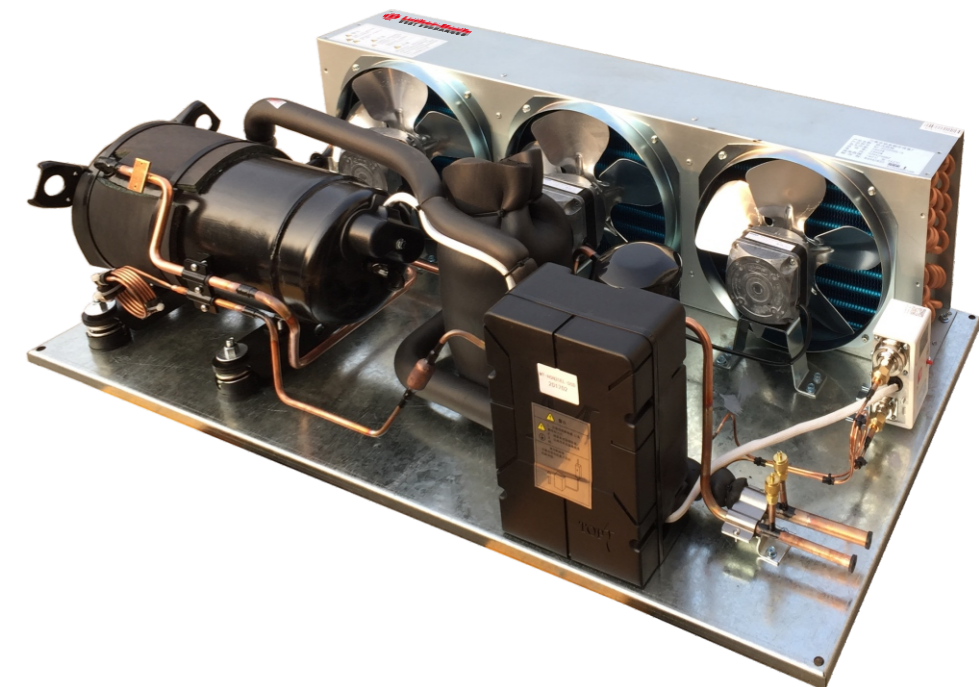
GREE 格力

Panasonic

LURT Series

Products features:

- With Rotary Compressor (Panasonic/GREE/HITACHI)
- Horizontal Type From 1HP to 3HP
- Vertical Type From 1HP to 3.5HP
- Refrigerant: R404A
- Application: Medium Temperature, Low Temperature
- Air Cooled Units



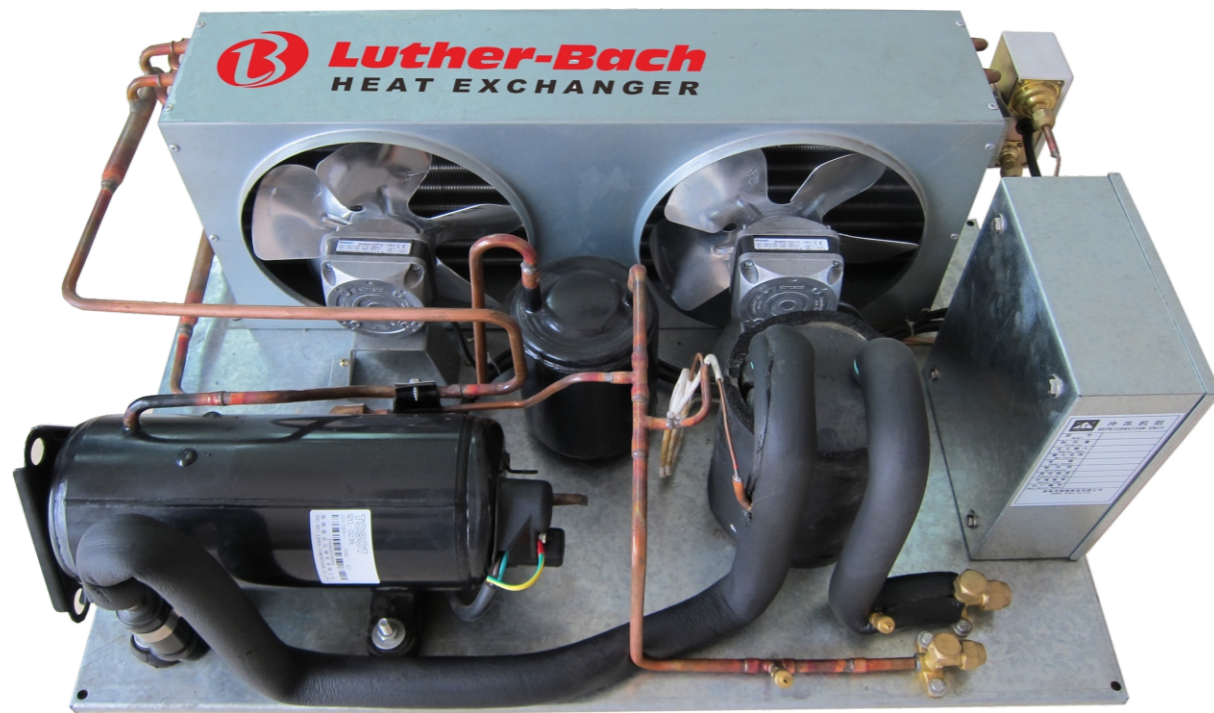
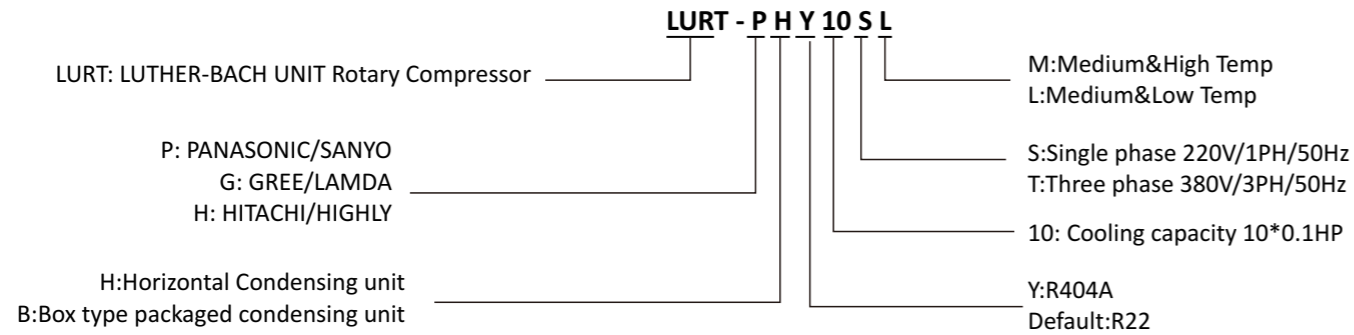


HITACHI



Panasonic

Model Description

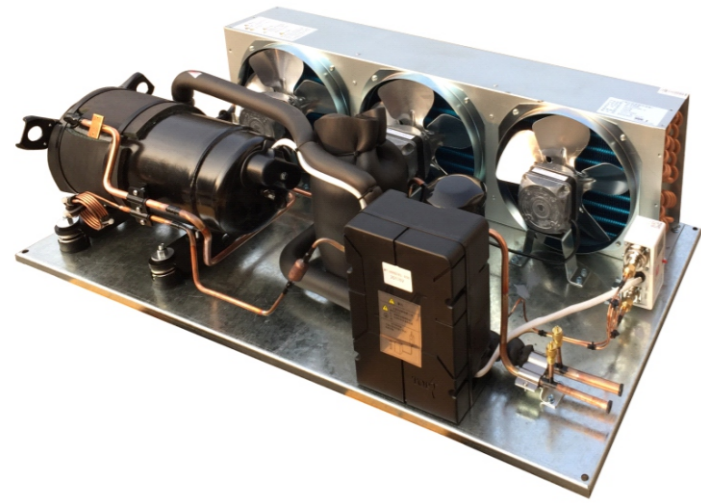


Product advantages:

- Wide voltage operation, the operating voltage from 187V to 240V.High efficiency, high reliability. no noise and vibration
- All pump parts titanium nitride coating treatment, wear and anti-strike capability was stronger, life doubled.
- Horizontal units height is lower (240 ~ 275mm), it can get the most effective volume of the showcase.
Also it can be installed directly inside the device. It reducing installation costs
- High performance, high efficiency, high winds patent motor; doubled efficiency than similar motor.
- Automatic spray fluid control and reduce the input power at different temperatures.
- Use built-in motor bundled protection, the motor temperature monitoring more sensitive, to prevent abnormal overheating of the motor through frequent starting.,



Specifications & Features



- 🌡 Application Temp: +5 °C to -30 °C
- 🌊 Nominal Capacity: 1 HP to 3 HP
- 🔄 Refrigerant: R404A

LOW PROFILE DESIGN
Smaller dimension with lower operating noise
20%-35% cost less than normal Scroll and Piston compressor units

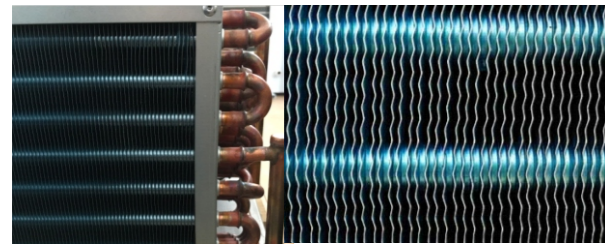
Galvanized plate casing
provides extend corrosion resistance and durability
Professional assembly and wiring row
Integrated control box protects electric parts



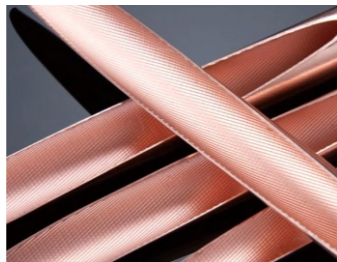
New and super efficiency Rotary compressor
Power saving 15%
Minimum energy requirement
Extend application range



EBM Fans
High efficiency
Longer using life
EC fans are optional with 60% efficiency higher



Hydrophilic coating fins
With greater corrosion resistance
Reduce airflow resistance
5% Higher efficiency than normal aluminum fin
Longer using life



Inner grooved copper tube
20% higher on heat exchange rate
Compared with smooth type



Famous brands accessories
Reliability and stability
Less maintenance costs



Horizontal Condensing units Applications:

Suitable for freezer, small cold storage,
Kitchen freezer, supermarket cabinets, display cabinets,
In the low-temperature experimental equipment and special low-temperature equipment
And other refrigerated trucks with mobile refrigerated equipment

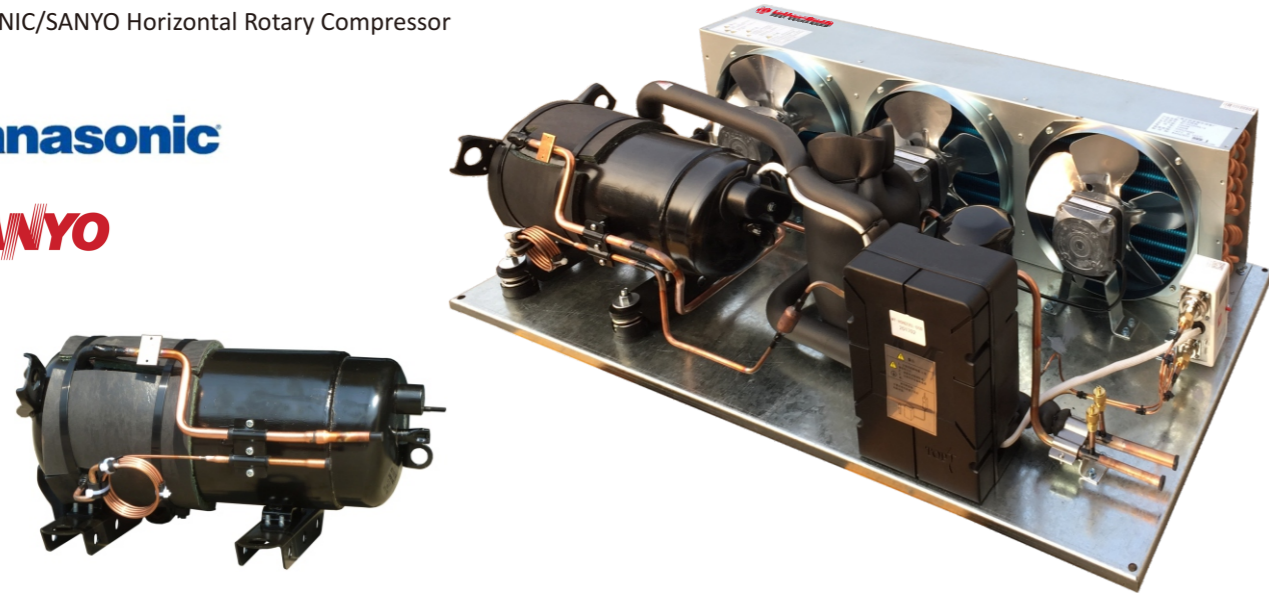


HORIZONTAL CONDENSING UNIT (R404A)

PANASONIC/SANYO Horizontal Rotary Compressor

Panasonic

SANYO

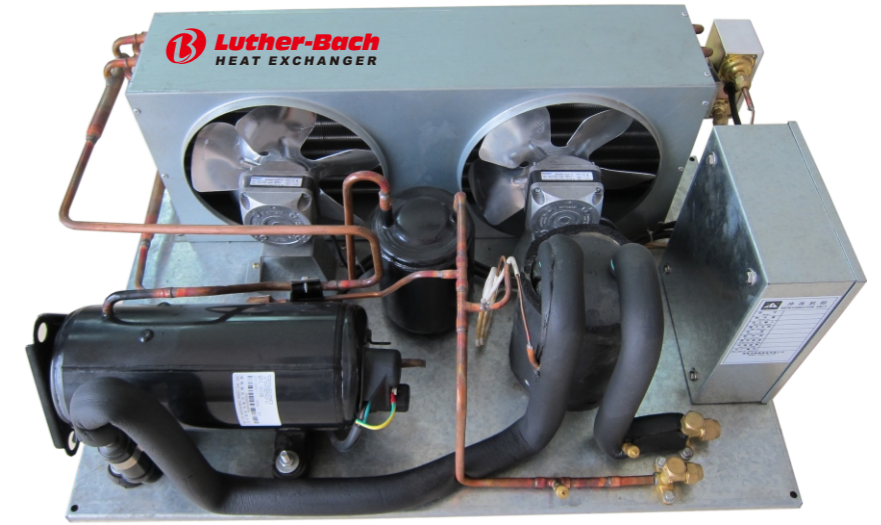


HORIZONTAL CONDENSING UNIT (R404A)

GREE/LAMDA Horizontal Rotary Compressor

GREE

LAMDA



Model		LURT-PHY10SL	LURT-PHY12SL	LURT-PHY15SL	LURT-PHY20SL	LURT-PHY25SL	LURT-PHY30SL	
Horse Power		1HP	1.2HP	1.5HP	2HP	2.5HP	3HP	
Cooling capacity (W)		780	850	1250	1550	1700	2300	
Power		220V/1PH/50Hz						
Refrigerant (Max/Kg)		R404A (1.2)	R404A (1.2)	R404A (1.4)	R404A (3.0)			
Starting Current (A)		25	27	37	50	53	60	
Max working current (A)		4.3	5.2	6.5	8.6	9.7	12.7	
Evaporating temp range (°C)		-45 ~ -5						
Ambient temp range (°C)		-7 ~ 43						
Liquid receiver (L)		0.8						
Accumulator (L)		0.65			1.2			
Condenser	Spec.(Raw*Ring*Lmm)	3*5*540	4*4.5*540	5*4.5*630	5*4.5*900	5*4.5*995	6*4.5*1060	
	Motor(W)*Qty	10*2	10*2	10*2	10*3	10*3	10*3	
	Fan Dia.(mm)	∠34°φ230*2	∠34°φ230*2	∠34°φ230*2	∠34°φ230*3	∠34°φ230*3	∠34°φ230*3	
	Air volume (m³/hr)	820*2	820*2	820*2	820*3	820*3	820*3	
Pipe (mm)	Suction f	12.7(1/2")						
	Liquid outlet f	9.53(3/8")						
Dimension (mm)	L±2	680	680	790	1050	1145	1210	
	W±2	455	485	485	540	540	570	
	H±4	276	261	261	263	263	263	
Pitch of holes f 9-L*W (mm*mm)		660*435	660*465	770*465	1030*520	1125*520	1190*550	
Cooling capacity	Evap.Temp (°C)		Cooling capacity: W Ambient Temp: 32°C					
	-40		505	635	840	1260	1405	1620
	-35		655	825	1090	1580	1760	2080
	-30		810	955	1190	1890	2110	2630
	-25		975	1210	1545	2310	2575	3320
	-20		1190	1440	1865	2730	3040	3955
	-15		1430	1710	2100	3095	3450	4540
	-10		1795	2070	2426	3680	4100	5485
Wiring	Leakage protector	Rated current(A)	10	10	15	25	25	30
		Action current(mA)	30					
	Wire dia (mm²)	=10m	2.0	2.0	2.0	4.0	4.0	5.0
		=20m	2.0	2.0	3.5	6.0	6.0	6.0
		=30m	3.5	3.5	3.5	6.0	6.0	8.0

Model		LURT-GHY10SL	LURT-GHY15SL	LURT-GHY20SL	LURT-GHY25SL	LURT-GHY30SL	
Horse Power		1HP	1.5HP	2HP	2.5HP	3HP	
Cooling capacity (W)		960W	1630W	2400W	2600W	2680W	
Power		220V/1PH/50HZ					
Refrigerant (Max/Kg)		R404A/1.2Kg	R404A/1.5Kg	R404A/2.0Kg	R404A/2.3Kg	R404A/2.5Kg	
Max working current (A)		4.6A	7.8A	11.6A	12.0A	12.5A	
Evaporating temp range (°C)		-40°C~10°C					
Ambient temp range (°C)		30~45°C					
Liquid receiver (L)		1L	1L	1L	1L	1L	
Accumulator (L)		1.8L	1.8L	1.8L	1.8L	1.8L	
Condenser	Fan motor	Motor power supply*Qty	16W*2	16W*2	16W*3	16W*3	
		Fan Dia(mm)	200mm	230mm	230mm	230mm	230mm
Pipe(mm)	Suction OD		16mm	16mm	16mm	16mm	
	Liquid outlet OD		10mm	10mm	10mm	10mm	
Dimension (mm)	L±2		670mm	750mm	1026mm	1090mm	
	W±2		480mm	520mm	480mm	480mm	
	H±4		245mm	275mm	245mm	245mm	
Cooling capacity (W)	Evap.Temp (°C)		Cooling Capacity:W				
	-40		763W	974W	1623W	1781W	2047W
	-30		960W	1209W	1935W	2135W	2456W
	-25		1197W	1605W	2320W	2620W	2950W
	-20		1435W	1917W	2712W	3150W	3598W
	-15		1736W	2206W	3010W	3670W	4400W
	-10		2080W	2620W	3729W	4432W	5123W
	-5		2370W	2918W	4180W	5250W	5960W
Wiring	Leakage protector	Rated current(A)	25A	25A	25A	25A	

- 1.The Volume of refrigerant charging should based on the volume up to the table.
- 2.Suction pipe and evaporator diameter should consider the oil back suction and gas flow rate before determined.
- 3.Connecting pipe diameter selection should pay special attention to ensure that the gas flow rate in the horizontal pipe to achieve 3.8m/s or more, standpipe to 7.6m/s or more.
- 4.Single side tube should be 10 meters below and the height difference should be below 3 meters.

HORIZONTAL CONDENSING UNIT (R404A)

HITACHI/HIGHLY Horizontal Rotary Compressor

HITACHI HIGHLY



Model	LURT-HHY10SL	LURT-HHY15SL	LURT-HHY20SL	LURT-HHY25SL	LURT-HHY30TL	
Horse Power	1HP	1.5HP	2HP	2.5HP	3HP	
Input Power(W)	630	1060	1500	1730	2420	
Power Supply	220V-240V/1PH/50HZ				380V/3PH/50HZ	
Refrigerant (Maximum liquid volume KG)	R404A(1.2)	R404A(2.0)	R404A(3.0)	R404A(3.0)	R404A(3.7)	
Starting current(A)	20	35	42	50	75	
Maximum Running Current(A)	4	7	9.2	10.6	7	
Evaporating temperature °C	(-25~0)		(-40~0)			
Ambient Temp °C	(-7~43)					
Compressor Model	DDD127CV-A2A	DDL211CV-B5M	DDH307LV-B5M	DDH356LV-B5M	DWH488LV-B5M	
Condenser	Spec.(Raw*Ring)					
	4*5					
	5*5					
Fan	Dia*Qty(mm)					
	φ223*2(15W*2)					
Air volume (m ³ /hr)		820*2	820*2	820*3	820*3	820*4
Pipe Conn. mm (inch)	Suction (Dia.)					
	φ12.7(1/2")					
Liquid (Dia.)		φ9.52(3/8")				
Dimension (mm)	L(mm)					
	680					
	790					
W(mm)						
480						
520						
H(mm)						
275						
275						
275						
275						
275						
Installation		L*W				
		650*450	760*490	910*510	1105*510	1200*510
Capacity	Evaporating Temp (°C)					
	Capacity: W, Condensing Temp: 45°C, Ambient temperature: 32°C					
	-40					
	/					
	-35					
	/					
	-30					
	/					
-25						
960 (825)						
1500 (1290)						
2427 (2087)						
2515 (2163)						
3541 (3045)						
-20						
1195 (1028)						
1830 (1574)						
2903 (2497)						
3068 (2638)						
4043 (3476)						
-15						
1500 (1290)						
2100 (1806)						
3424 (2945)						
3687 (3170)						
4734 (4071)						
-10						
1850 (1591)						
2500 (2150)						
3986 (3428)						
4359 (3749)						
5638 (4848)						
-5						
2200 (1892)						
2900 (2494)						
4582 (3941)						
5068 (4358)						
6786 (5835)						
Connection capacity	Leakage protector	Rated current				
		10				
	Wire dia (mm2)	Leakage current				
		30				
		10m IN10m				
2						
20m IN20m						
2.5						
30m IN30m						
2.5						

BOX TYPE PACKAGED CONDENSING UNIT (R404A)

PANASONIC/SANYO Vertical Rotary Compressor

Model	LURT-PBY10SL	LURT-PBY15SL	LURT-PBY25SL	LURT-PBY30SL
Horse Power	1HP	1.5HP	2.5HP	3HP
Power	220V/1PH/50Hz			
Evaporating temp range (°C)	-45 ~ -5			
Ambient temp range (°C)	-7 ~ 43			
Refrigerant	R404A			
Compressor model	C-R133L4AL	C-R220L4AL	C-3R322L4AAL	C-3R463L4AAL
Pressure control	H20PS B 2.8MPa ~ 2.2MPa			
	H20PS A 0.05MPa ~ 0.15MPa			
Condenser	Spec.(Raw*tube*Lmm)			
	2*10*710mm	2*11*780mm	2*13*780mm	2*16*880mm
	Fan motor qty			
1				
Motor power supply				
220V/1PH/50Hz				
Motor power(W)				
25	40	40	60	
Pipe (mm)(inch)	Suction OD		15.88(5/8")	
	12.7(1/2")		9.53(3/8")	
Dimension (mm)	Liquid outlet OD		6.35(1/4")	
	L±3		840	
	780		840	
W±3		380		
320		425		
H±3		840		
545		840		
Pitch of hole(Hole-L*W (mm*mm))				
φ10-505*280				
φ10-495*310				
φ9-510*350				
φ15-575*390				
Cooling capacity	Evap.Temp (°C)			
	Cooling capacity: W Ambient Temp: 32°C			
	-40			
	505	840	1260	1620
	-35			
	655	1090	1580	2080
	-30			
	810	1190	1890	2630
	-25			
975	1545	2310	3320	
-20				
1190	1865	2730	3955	
-15				
1430	2100	3095	4540	
-10				
1795	2426	3680	5485	
-5				
2135	2790	4100	6485	



BOX TYPE PACKAGED CONDENSING UNIT (R404A)

GREE/LAMDA Vertical Rotary Compressor



Model		LURT-GBY10SL	LURT-GBY12.5SL	LURT-GBY15SL	LURT-GBY20SL	LURT-GBY25SL	LURT-GBY30SL
Horse Power		1HP	1.25HP	1.5HP	2HP	2.5HP	3HP
Cooling capacity (W)		960W	1060W	1350W	1900W	2000W	2600W
Power		220V/1PH/50HZ					
Refrigerant (Max/Kg)		R404A/1.20Kg	R404A/1.20Kg	R404A/1.40Kg	R404A/2.0Kg	R404A/2.30Kg	R404A/2.50Kg
Max working current (A)		5.2A	4.6A	6.8A	9.3A	10.2A	13.2A
Evaporating temp range (°C)		-20°C~10°C	-20°C~10°C	-20°C~10°C	-20°C~10°C	-20°C~10°C	-20°C~10°C
Ambient temp range (°C)		30~45°C	30~45°C	30~45°C	30~45°C	30~45°C	30~45°C
Condenser	Fan motor	Motor power supply*Qty					
	Fan Dia (mm)	25W*1	25W*1	25W*1	60W*1	60W*1	60W*1
Pipe(mm)	Suction OD	401mm	401mm	401mm	440mm	440mm	440mm
	Liquid outlet OD	12.7mm	12.7mm	12.7mm	15.88mm	15.88mm	15.88mm
Dimension (mm)	L±2	9.52mm	9.52mm	9.52mm	9.52mm	9.52mm	9.52mm
	W±2	780mm	780mm	780mm	900mm	900mm	900mm
	H±4	258mm	258mm	258mm	360mm	360mm	360mm
Cooling capacity (W)	Evap.Temp (°C)	Cooling Capacity:W					
	-20	540mm	540mm	540mm	700mm	710mm	860mm
	-15	1168W	1458W	1794W	2491W	2692W	3350W
	-10	1502W	1764W	2207W	3006W	3324W	4067W
	-5	1931W	2134W	2714W	3672W	4103W	4937W
Wiring	Leakage protector	2208W	2589W	3229W	4402W	4862W	6078W
	Rated current(A)	25A	25A	25A	25A	25A	25A



BOX TYPE PACKAGED CONDENSING UNIT (R404A)

HITACHI/HIGHLY Vertical Rotary Compressor



Model		LURT-HBY10SM	LURT-HBY15SL	LURT-HBY20SL	LURT-HBY30SL	LURT-HBY35TL
Horse Power		1HP	1.5HP	2HP	3HP	3.5HP
Evaporating temperature Range °C		-25°C-10°C	-40°C-10°C			
Refrigerant		R404A				
Power Supply		220V/1PH/50Hz				380V/3PH/50Hz
Compressor Model		WHP03900DCV-C4AT	WHP05180DCV-G4AQ	WHP07140DCV-G4AQ	WHP09800DCV-C9EU	DTH488LC3-C9EU
Compressor Capacitor		35	50	50	60	-
Fan motor	Power(W)	53W	53W	53W	53W	53W
	Dia	φ496*150	φ496*150	φ496*150	φ496*150	φ496*150
	Air volume (m ³ /hr)	2800	2800	2800	3200	3200
Condenser copper tube		φ9.52/13U	φ9.52/13U	φ8/30U	φ8/36U	φ8/36U
Cooling Area (m ²)		11	11	19	29	29
Check valve		6+12.7	6+12.7	6+12.7	9.52+15.88	9.52+15.88
Throttling configuration		Thermostatic expansion valve(Equipped by user)				
At -18°C	Room volume(m ³)	4-8	6-10	8-15	15-20	15-20
	Suggest Evaporator	DD/12	DD/12	DD/15	DD/22	DD/22
	Suggest expansion valve model	2/3 S	1 S	1 S	1.5S	1.5S
At -25°C	Room volume(m ³)	/	4-8	6-10	10-12	10-12
	Suggest Evaporator	/	DJ/10	DJ/13	DJ/15	DJ/15
	Suggest expansion valve model	/	2/3 S	1 S	1.5S	1.5S
Capacity	Evaporating Temp (°C)	Testing at Condensing Temp: 45°C				
	-40°C	/	932	1379	1850	1850
	-35°C	/	1079	1659	2306	2306
	-30°C	/	1275	2041	2905	2905
	-25°C	1128	1536	2596	3541	3541
	-20°C	1378	1877	2972	4043	4043
	-15°C	1698	2312	3479	4734	4734
	-10°C	2097	2856	4138	5638	5638
-5°C	2587	3524	4971	6786	6786	
Products dimension (mm)		843*315*700	843*315*700	843*315*700	900*320*860	900*320*860
Packing dimension (mm)		1005*425*780	1005*425*780	1005*425*780	1065*415*950	1065*415*950
(Installation dimension (LXW)mm)		565*335	565*335	565*335	590*335	590*335



SECOP Compressors Condensing Units



LUS Series

Products features:

With SECOP Compressor
Horse Power: From 1/5HP to 5/8HP
Refrigerant: R134a, R404A, R22
Application: M/HBP, LBP
Air Cooled Units

SECOP

LUS SERIES
SECOP Compressors Condensing Units



Products Description:

Small-sized commercial air cooling condensing units use Danfoss compressor, and then match with efficient condenser, premium brands fan, liquid receiver. With these excellent configuration, this machine perform efficient on energy with nice-looking appearance. This series units are widely used in small-sized commercial refrigerator, kitchen refrigerator, ice machine, showcase, experimental apparatus and small chillers, etc.

Technical data

R134a

Model	LUS-RF7.5G	LUS-SC10G	LUS-SC12G	LUS-SC15G	LUS-SC18G	LUS-SC21G
Compressor Model	RF7.5G	SC10G	SC12G	SC15G	SC18G	SC21G
Nominal capacity (W)	600	900	1160	1402	1550	1920
Input power (W)	290	400	552	605	741	856
Power supply	1Ph-220V-50Hz					
Refrigerant	R134a					
Air volume m ³ /h	340	410	550	520	520	1050
Heat exchanger area m ²	2.5	3.7	4	5.8	6.2	6.5
Fan diameter*angle (mm)	∅ 200*34°	∅230*28°	∅254*28°	∅254*28°	∅254*28°	∅300*34°
Motor power (W)	7	10	18	18	18	34
Tube coupling (mm)	6.35	6.35	6.35	6.35	6.35	6.35
Suction coupling (mm)	7.9	9.52	9.52	9.52	9.52	9.52
Dimensions L*B*H(mm)	380*320*265	380*320*265	480*350*290	480*350*290	480*350*290	480*410*350

Application range:

Evaporating temperature: -25~-10°C, Inlet air temperatre <43°C

Note:

- 1.Normal conditions : Units evaporation temperature:7.2°C,Inlet air temperature:32°C. Compressor suction temperature:18°C;
- 2.Condensing with internal screw pipe, Hydrophilic aluminum fin Optional



R404A/R507

Model	LUS-RF7.5CL	LUS-SC10CL	LUS-SC12CL	LUS-SC15CL	LUS-SC18CL	LUS-SC21CL
Compressor Model	RF7.5CL	SC10CL	SC12CL	SC15CL	SC18CL	SC21CL
Nominal capacity (W)	490	770	1000	1150	1360	1330
Input power (W)	454	600	770	910	1030	1060
Power supply	1Ph-220V-50Hz					
Refrigerant	R404A/R507					
Air volume m ³ /h	340	410	550	520	520	520
Heat exchanger area m ²	2.5	3.7	4.0	5.8	6.2	6.2
Fan diameter*angle (mm)	∅ 200*34°	∅230*28°	∅254*28°	∅254*28°	∅ 254*28°	∅254*28°
Motor power (W)	7	10	18	18	18	18
Tube coupling (mm)	6.35	6.35	6.35	6.35	6.35	6.35
Suction coupling (mm)	7.9	9.52	9.52	9.52	9.52	9.52
Dimensions L*B*H(mm)	380*320*265	380*320*265	480*350*290	480*350*290	480*350*290	480*350*290

Application range: Evaporating temperature: -40~-5°C, Inlet air temperatre < 43°C from LUS-RF7.5CL to LUS-SC18CL
LUS-SC21CL Evaporating temperature: -40°C— -10°C, Inlet air temperatre <43°C

Note:

- 1.Normal conditions: Units evaporation temperature:-7°C (LUS-SC21CL :-10°C), Inlet air temperature:32°C; Compressor suction temperature:18°C
- 2.Condensing with internal screw pipe, Hydrophilic aluminum fin Optional

R22

Unit Model	LUS-SC10C	LUS-SC12C	LUS-SC15CM	LUS-SC18CM
Compressor Model	SC10C	SC12C	SC15CM	SC18CM
Nominal capacity (W)	760	960	1140	1240
Input power (W)	488	664	750	780
Power supply	1Ph-220V-50Hz			
Refrigerant	R22			
Air volume m ³ /h	410	550	520	520
Heat exchanger area m ²	3.7	4.0	5.8	6.2
Fan diameter*angle (mm)	∅ 230*28°	∅ 254*28°	∅ 254*28°	∅ 254*28°
Motor power (W)	10	18	18	18
Tube coupling (mm)	6.35	6.35	6.35	6.35
Suction coupling (mm)	9.52	9.52	9.52	9.52
Dimensions L*B*H(mm)	380*320*265	480*350*290	480*350*290	480*350*290

Application range:

Evaporation temperature:-40~-5°C, Inlet air temperature< 43°C

Note:

- 1.Normal conditions : Units evaporation temperature:-7°C,Inlet air temperature:32°C; Compressor suction temperature:18°C
- 2.Condensing with internal screw pipe, Hydrophilic aluminum fin Optional



EMBRACO Compressor Condensing Units



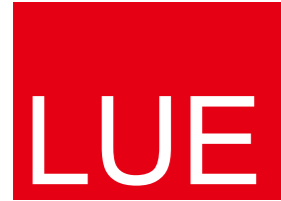
LUE Series

Products features:

With Embraco Compressor
Horse Power: From 1/4HP to 2HP
Refrigerant: R134a, R404A, R22
Application: M/HBP, LBP
Air Cooled Units

embraco

LUE SERIES
EMBRACO Compressors Condensing Units



Products Description:

LUE Series are available for a broad spectrum of applications, Ranging from 1/6 to 2HP In Low, medium and high temp. evaporation application.

- Low noise
- High efficiency level
- Compact size
- Low vibrations
- High reliability in sever working conditions

Refrigerant:R22, Application:M/HBP

Model	Displacement		Horse Power	Voltage/ Frequency	Condensing Temperature °C	Capacity W/Evaporating Temperature					
	cm ³	in ³				-10°C	-5°C	0°C	5°C	7.2°C	10°C
LUE-NB6152E	5.02	0.31	1/4	220-240V,50Hz	54.4		394	483	584	632	697
					45	368	454	554	669	798	
LUE-NB6166E	6.05	0.37	1/3	220-240V,50Hz	54.4		485	592	714	772	851
					45	453	556	676	815	971	
LUE-NE6210E	8.78	0.54	3/8	220-240V,50Hz	54.4		670	836	1026	1118	1241
					45	627	787	978	1199	1452	
LUE-NE6211E	9.27	0.57	1/2	208-230V,60Hz	54.4		783	968	1179	1290	1425
					45	686	859	1060	1291	1548	
LUE-T6220E	17.4	1.06	3/4	200-220V,50Hz/ 230V, 60Hz	54.4		1345	1682	2065	2248	2494
					45	1204	1543	1902	2283	2685	
LUE-NE9213E	12.12	0.74	9/16	220-240V,50Hz	54.4		980	1220	1291	1620	1792
					45	902	1137	1406	1711	2049	
LUE-NJ9226E	21.7	1.32	1	220-240V,50Hz	54.4		1792	2249	2769	3018	3352
					45	1647	2086	2591	3163	3800	
LUE-NJ9232E	26.2	1.6	1.5	220-240V,50Hz	54.4		2159	2695	3313	3611	4013
					45	1974	2514	3142	3857	4661	
LUE-NJ9238E	32.7	2	1.75	230V,50Hz	54.4		2802	3427	4131	4466	4914
					45	5490	3112	3831	4648	5563	

Refrigerant:R22, Application:LBP

Model	Displacement		Horse Power	Voltage/ Frequency	Condensing Temperature °C	Capacity W/Evaporating Temperature					
	cm ³	in ³				-30°C	-25°C	-23.3°C	-20°C	-15°C	-10°C
LUE-NE2134E	12.12	0.74	1/2	220-240V,50Hz	54.4			429	518	670	843
					45	331	441	576	737	924	
LUE-T2140E	14.5	0.88	1/2	220-240V,50Hz	54.4			496	604	796	1023
					45	348	482	653	866	1116	
LUE-T2155E	17.4	1.06	3/4	200-220V,50Hz/ 230V, 60Hz	54.4			599	731	965	1241
					45	427	591	798	1049	1344	
LUE-T2168E	20.4	1.24	1	200-220V,50Hz/ 230V, 60Hz	54.4			759	948	1304	1744
					45	547	725	963	1262	1622	
LUE-NJ2190E	27.12	1.65	1.25	230V, 50Hz	54.4			1060	1280	1662	2104
					45	782	1078	1426	1826	2279	

Refrigerant:R134a, Application:LBP

Model	Displacement		Horse Power	Voltage/ Frequency	Condensing Temperature °C	Capacity W/Evaporating Temperature					
	cm ³	in ³				-30°C	-25°C	-23.3°C	-20°C	-15°C	-10°C
LUE-NB1118Z	8.07	0.49	1/4	220-240V,50Hz	54.4		124	207	199	321	411
					45	111	147	214	341	434	
LUE-NE1121Z	9.27	0.57	1/3	200-220V,50Hz/ 230V,60Hz	54.4		229	252	303	197	618
					45	184	245	322	518	640	
LUE-NE1130Z	12.12	0.74	3/8	200-220V,50Hz/ 230V,60Hz	54.4		322	277	385	623	772
					45	235	323	408	650	800	
LUE-NE2130Z	12.12	0.74	1/2	200-220V,50Hz/ 230V,60Hz	54.4		283	314	375	604	742
					45	228	299	388	620	763	
LUE-NE2134Z	14.28	0.87	9/16	220-240V,50Hz	54.4		324	356	438	706	880
					45	263	345	453	741	921	
LUE-NEK2140Z	16.8	1.02	3/4	220-240V,50Hz	54.4		394	436	520	848	1015
					45	318	420	552	896	1110	

Refrigerant:R134a, Application:M/HBP

Model	Displacement		Horse Power	Voltage/ Frequency	Condensing Temperature °C	Capacity W/Evaporating Temperature					
	cm ³	in ³				-10°C	-5°C	0°C	5°C	7.2°C	10°C
LUE-NE6170Z	8.78	0.54	1/3	200-220V,50Hz/ 230V,60Hz	54.4		443	570	718	789	885
					45	411	532	676	844	1035	
LUE-NE6187Z	12.12	0.74	3/8	200-220V,50Hz/ 230V,60Hz	54.4		639	809	1006	1101	1229
					45	586	748	940	1163	1416	
LUE-NEK6212Z	14.3	0.87	1/2	200-220V,50Hz/ 230V,60Hz	54.4		790	980	1198	1302	1444
					45	725	912	1128	1368	1635	
LUE-T6213Z	17.4	1.06	1/2	200-220V,50Hz/ 230V,60Hz	54.4		835	1068	1335	1463	1635
					45	736	979	1252	1555	1889	
LUE-T6215Z	20.4	1.24	1/2	200-220V,50Hz/ 230V,60Hz	54.4		998	1291	1634	1800	2026
					45	897	1169	1500	1891	2342	

Refrigerant:R404A, Application:LBP

Model	Displacement		Horse Power	Voltage/ Frequency	Condensing Temperature °C	Capacity W/Evaporating Temperature							
	cm ³	in ³				-40°C	-35°C	-30°C	-25°C	-23.3°C	-20°C	-15°C	-10°C
LUE-NEK2125GK	6.2	0.38	1/3	220-240V,50Hz	54.4			243	314	341	398	494	603
					45	156	202	262	334		420	520	633
LUE-NEK2134GK	8.78	0.54	1/2	220-240V,50Hz	54.4			327	442	464	544	679	833
					45	203	269	353	463		579	720	879
				208-230V,60Hz	54.4			380	500	544	640	798	975
					45	230	312	415	535		678	840	1025
LUE-NEK2150GK	12.12	0.74	9/16	220-240V,50Hz	54.4			445	570	616	716	888	1086
					45	286	366	473	628		763	947	1156
				208-230V,60Hz	54.4			492	636	692	809	1009	1237
					45	336	420	536	683		862	1072	1314
LUE-TK2155GK	14.5	0.88	5/8	220-240V,50Hz	54.4			368	524	586	717	948	1215
					45	220	299	520	583		789	1037	1327
				208-230V,60Hz	54.4			411	607	681	836	1100	1100
				45	257	350	491	683		923	1213	1213	
LUE-T2168GK	17.4	1.06	2/3	220-240V,50Hz	54.4			487	678	752	906	1169	1467
					45	293	405	558	753		988	1264	1582
				208-230V,60Hz	54.4			569	794	879	1060	1367	1367
				45	343	474	653	881		1156	1479	1479	
LUE-T2178GK	20.4	1.24	3/4	220-240V,50Hz	54.4			606	827	910	1081	1368	1688
					45	341	496	678	897		1155	1450	1782
				208-230V,60Hz	54.4			716	970	1065	1264	1598	1598
				45	411	580	793	1050		1351	1696	1696	
LUE-NT2192GK	22.37	1.36	1	220-240V,50Hz	54.4	377	545	751	994	1089	1275	1594	1952
					45	442	606	814	1066		1361	1701	2084
LUE-NJ2192GK	26.2	1.6	1	220-240V,50Hz	54.4			752	1021	1125	1345	1725	2161
					45	418	629	880	1172		1503	1875	2287
				208-230V,60Hz	54.4			880	1194	1316	1574	2019	2019
					45	430	685	989	1342		1745	2196	2196
LUE-NJ2212GK	34.37	2.1	1.25	220-240V,50Hz	54.4			945	1333	1477	1775	2273	2825
					45	491	753	1085	1486		1957	2496	3106
				208-230V,60Hz	54.4			1105	1559	1728	2077	2659	2659
					45	573	880	1269	1738		2289	2921	2921

Refrigerant:R404A, Application:M/HBP

Model	Displacement		Horse Power	Voltage/ Frequency	Condensing Temperature °C	Capacity W/Evaporating Temperature							
	cm ³	in ³				-40°C	-35°C	-30°C	-25°C	-23.3°C	-20°C	-15°C	-10°C
LUE-NE6210GK	8.78	0.54	3/8	220-240V,50Hz	54.4			669	821	999	1205	1303	1436
					45	566	674	815	988	1195	1435		1707
LUE-NE9213GK	12.12	0.74	1/2	220-240V,50Hz	54.4			862	1080	1327	1602	1732	1906
					45	644	833	1055	1309	1596	1914		2265
				208-230V,60Hz	54.4			1007	1256	1543	1867	2021	2228
					45	764	978	1230	1522	1853	2224		2633
LUE-T6220GK	17.4	1.06	3/4	220-240V,50Hz	54.4			1161	1471	1823	2214	2400	2647
					45	842	1124	1444	1802	2197	2630		3103
				208-230V,60Hz	54.4			1358	1721	2132	2591	2808	3097
					45	1017	1307	1650	2046	2497		3551	
LUE-T6220GK	20.4	1.25	1	220-240V,50Hz	54.4			1456	1822	2233	2686	2895	3148
					45	1074	1392	1764	2190	2670	3204		3794
LUE-J9226GK	21.7	1.32	1.25	220-240V,50Hz	54.4			1584	1998	2470	2998	3249	3584
					45	1165	1508	1922	2409	2968	3598		4300
				208-230V,60Hz	54.4			1853	2338	2890	3508	3801	4194
					45	1363	1764	2249	2819	3472	4210		5032
LUE-J9232GK	26.2	1.6	1.5	220-240V,50Hz	54.4			1940	2456	3045	3706	4021	4441
					45	1421	1841	2354	2959	3656	4444		5325
				208-230V,60Hz	54.4			2270	2873	3562	4336	4704	5196
					45	1662	2154	2754	3462	4277	5200		6230
LUE-J9238GK	32.7	2	2	230V,50Hz	54.4			2415	3014	3697	4463	4827	5313
					45	1845	2374	2990	3693	4481	5356		6317
				208-230V,60Hz	54.4			2692	3335	4044	4820	5184	5660
					45	2016	2640	3315	4045	4830	5668		6560





TECUMSEH Compressor Condensing Units



LUT Series

Products features:

- With Tecumseh Compressor
- Horse Power: From 1/8HP to 6-3/4HP
- Refrigerant: R134a, R404A, R22
- Application: M/HBP, LBP
- Air Cooled Units



LUT SERIES

TECUMSEH Compressor Condensing Units



Products Description:

LUT series condensing units with Tecumseh compressor meeting your many-faceted requirements. Guarantee of a quality product, high reliability and unrivalled expertise that will save you time in new and replacement installations. Discreet design offering high performance in all conditions with quietest running.

R134a, Room Temperature -25°C~10°C

Unit Model	Compressor			Condenser			
	Model	Capacity (HP)	Power	Qty*Dia	Air Flow (m ³ /h)	Fan Power (W)	Fan Voltage
LUT-THB4410Y	THB4410Y	1/8	220-240V/1/50HZ	1*f 200	560	38	220V
LUT-THB4413Y	THB4413Y	1/4	220-240V/1/50HZ	1*f 200	560	38	220V
LUT-THB4415Y	THB4415Y	1/6	220-240V/1/50HZ	1*f 200	560	38	220V
LUT-THB4419Y	THB4419Y	1/5	220-240V/1/50HZ	1*f 200	560	38	220V
LUT-THB4422Y	THB4422Y	1/5	220-240V/1/50HZ	1*f 200	560	38	220V
LUT-AE4425Y	AE4425Y	1/5	220-240V/1/50HZ	1*f 200	560	38	220V
LUT-AE4430Y	AE4430Y	1/4	220-240V/1/50HZ	1*f 200	560	38	220V
LUT-AE4440Y	AE4440Y	1/3	220-240V/1/50HZ	1*f 200	560	38	220V
LUT-AE4450Y	AE4450Y	3/8	220-240V/1/50HZ	1*f 200	560	38	220V
LUT-AE4456Y	AE4456Y	7/16	220-240V/1/50HZ	1*f 200	560	38	220V
LUT-AE4460Y	AE4460Y	1/2	220-240V/1/50HZ	1*f 200	560	38	220V
LUT-CAJ4452Y	CAJ4452Y	3/7	220-240V/1/50HZ	1*f 200	560	38	220V
LUT-CAJ4461Y	CAJ4461Y	1/2	220-240V/1/50HZ	1*f 250	1150	65	220V
LUT-TAJ4461Y	TAJ4461Y	1/2	400V/3/50HZ	1*f 250	1150	70	380V
LUT-CAJ4476Y	CAJ4476Y	5/8	220-240V/1/50HZ	1*f 300	2100	115	220V
LUT-CAJ4492Y	CAJ4492Y	3/4	220-240V/1/50HZ	1*f 300	2100	115	220V
LUT-TAJ4492Y	TAJ4492Y	3/4	400V/3/50HZ	1*f 300	2150	120	380V
LUT-CAJ4511Y	CAJ4511Y	1	220-240V/1/50HZ	1*f 350	2980	138	220V
LUT-TAJ4511Y	TAJ4511Y	1	400V/3/50HZ	1*f 350	2980	138	380V
LUT-CAJ4513Y	CAJ4513Y	1-1/8	220-240V/1/50HZ	1*f 350	2980	138	220V
LUT-FH4518Y	FH4518Y	1-1/2	220-240V/1/50HZ	1*f 350	2980	138	220V
LUT-TFH4518Y	TFH4518	1-1/2	400V/3/50HZ	1*f 350	3110	145	380V
LUT-FH4525Y	FH4525Y	2	220-240V/1/50HZ	1*f 350	2980	138	220V
LUT-TFH4525Y	TFH4525Y	2	400V/3/50HZ	1*f 350	3110	145	380V
LUT-TAG4528Y	TAG4528Y	2-1/2	400V/3/50HZ	1*f 400	3900	190	380V
LUT-TAG4534Y	TAG4534Y	2-1/2	400V/3/50HZ	1*f 400	3900	190	380V
LUT-TAG4537Y	TAG4537Y	3-1/4	400V/3/50HZ	1*f 400	3900	190	380V
LUT-TAH4543Y	TAG4543Y	3-1/2	400V/3/50HZ	2*f 350	6220	290	380V

R404A, Room Temperature -25°C~10°C

Unit Model	Compressor			Condenser			
	Model	Capacity (HP)	Power	Qty*Dia	Air Flow (m ³ /h)	Fan Power (W)	Fan Voltage
LUT-FH4522Z	FH4522Z	2	220-240V/1/50HZ	1*φ350	2980	138	220V
LUT-TFH4522Z	TFH4522Z	2	400V/3/50HZ	1*φ350	2980	138	380V
LUT-FH4524Z	FH4524Z	2	220-240V/1/50HZ	1*φ350	2980	138	220V
LUT-TFH4524Z	TFH4524Z	2	400V/3/50HZ	1*φ350	2980	138	380V
LUT-FH4531Z	FH4531Z	2-3/4	220-240V/1/50HZ	2*φ350	5960	276	220V
LUT-TFH4531Z	TFH4531Z	2-3/4	400V/3/50HZ	2*φ350	5960	276	380V
LUT-FH4540Z	FH4540Z	3-1/2	220-240V/1/50HZ	2*φ350	5960	276	220V
LUT-TFH4540Z	TFH4540Z	3-1/2	400V/3/50HZ	2*φ350	5960	276	380V
LUT-TAG4546Z	TAG4546Z	4	400V/3/50HZ	2*φ350	5960	276	380V
LUT-TAG4553Z	TAG4553Z	4-1/2	400V/3/50HZ	2*φ400	7800	380	380V
LUT-TAG4561Z	TAG4561Z	5	400V/3/50HZ	2*φ400	7800	380	380V
LUT-TAG4568Z	TAG4568Z	6	400V/3/50HZ	2*φ400	7800	380	380V
LUT-TAG4573Z	TAG4573Z	6	400V/3/50HZ	2*φ400	7800	380	380V
LUT-TAG4581Z	TAG4581Z	6-3/4	400V/3/50HZ	2*φ400	7800	380	380V

R404A, Room Temperature -30°C~ -10°C

Unit Model	Compressor			Condenser			
	Model	Capacity (HP)	Power	Qty*Dia	Air Flow (m ³ /h)	Fan Power (W)	Fan Voltage
LUT-THB2360Z	THB2360Z	1/5	220-240V/1/50HZ	1*φ350	2980	138	220V
LUT-THB2378Z	THB2378Z	1/5	220-240V/1/50HZ	1*φ200	455	29	220V
LUT-THB2396Z	THB2396Z	1/5	220-240V/1/50HZ	1*φ200	455	29	220V
LUT-AE2410Z	AE2410Z	1/4	220-240V/1/50HZ	1*φ200	455	29	220V
LUT-AE2415Z	AE2415Z	3/8	220-240V/1/50HZ	1*φ200	455	29	220V
LUT-AE2420Z	AE2420Z	1/2	220-240V/1/50HZ	1*φ250	1000	70	220V
LUT-AE2425Z	AE2425Z	5/8	220-240V/1/50HZ	1*φ300	1664	85	220V
LUT-TYA2431ZKS	TYA2431ZKS	1	220-240V/1/50HZ	1*φ300	1664	85	220V
LUT-TYA2438ZKS	TYA2438ZKS	1-1/4	220-240V/1/50HZ	1*φ350	2980	138	220V
LUT-TYA2431ZKS	TYA2431ZKS	1-1/3	220-240V/1/50HZ	1*φ350	2980	138	220V
LUT-CAJ2428Z	CAJ2428Z	3/4	220-240V/1/50HZ	1*φ300	2100	115	220V
LUT-TAJ2428Z	TAJ2428Z	3/4	400V/3/50HZ	1*φ300	2150	120	380V
LUT-CAJ2432Z	CAJ2432Z	3/4	220-240V/1/50HZ	1*φ300	2100	115	220V
LUT-TAJ2432Z	TAJ2432Z	3/4	400V/3/50HZ	1*φ300	2150	120	380V
LUT-CAJ2440Z	CAJ2440Z	1	220-240V/1/50HZ	1*φ300	2100	115	220V
LUT-CAJ2446Z	CAJ2446Z	1	220-240V/1/50HZ	1*φ300	2100	115	380V
LUT-TAJ2446Z	TAJ2446Z	1	400V/3/50HZ	1*φ300	2150	120	220V
LUT-CAJ2464Z	CAJ2464Z	1-1/2	220-240V/1/50HZ	1*φ350	2980	138	380V
LUT-TAJ2464Z	TAJ2464Z	1-1/2	400V/3/50HZ	1*φ350	3110	145	220V
LUT-FH2480Z	FH2480Z	2	220-240V/1/50HZ	1*φ350	2980	138	220V
LUT-TFH2480Z	TFH2480Z	2	400V/3/50HZ	1*φ350	3110	145	380V
LUT-FH2511Z	FH2511Z	3	220-240V/1/50HZ	2*φ350	5960	276	220V
LUT-TFH2511Z	TFH2511Z	3	400V/3/50HZ	2*φ350	6220	290	380V
LUT-TAG2513Z	TAG2513Z	3-1/4	400V/3/50HZ	2*φ350	6220	290	380V
LUT-TAG2516Z	TAG2516Z	4	400V/3/50HZ	2*φ350	6220	290	380V
LUT-TAG2522Z	TAG2522Z	6	400V/3/50HZ	2*φ400	7800	380	380V
LUT-TAG2525Z	TAG2525Z	6-1/4	400V/3/50HZ	2*φ400	7800	380	380V

R22, Room Temperature -25°C~10°C

Unit Model	Compressor			Condenser			Fan Voltage
	Model	Capacity (HP)	Power	Qty*Dia	Air Flow (m ³ /h)	Fan Power (W)	
LUT-AE4425E	AE4425E	1/5	220-240V/1/50HZ	1*φ200	455	29	220V
LUT-AE4430E	AE4430E	1/4	220-240V/1/50HZ	1*φ200	455	29	220V
LUT-AE24440E	AE24440E	1/3	220-240V/1/50HZ	1*φ200	455	29	220V
LUT-CAE4450E	CAE4450E	7/16	220-240V/1/50HZ	1*φ250	1000	70	220V
LUT-CAE4460E	CAE4460E	1/2	220-240V/1/50HZ	1*φ250	1000	70	220V
LUT-CAJ9480T	CAJ9480T	5/8	220-240V/1/50HZ	1*φ300	2100	115	220V
LUT-TAJ9480T	TAJ9480T	5/8	400V/3/50HZ	1*φ300	2150	120	380V
LUT-CAJ9510T	CAJ9510T	1	220-240V/1/50HZ	1*φ300	2100	115	220V
LUT-TAJ9510T	TAJ9510T	1	400V/3/50HZ	1*φ300	2150	120	380V
LUT-CAJ9513T	CAJ9513T	1-1/8	220-240V/1/50HZ	1*φ350	2980	138	220V
LUT-TAJ9513T	TAJ9513T	1-1/8	400V/3/50HZ	1*φ350	3110	145	380V
LUT-CAJ4517E	CAJ4517E	1-1/4	220-240V/1/50HZ	1*φ350	2980	138	220V
LUT-TAJ4517T	TAJ4517T	1-1/4	400V/3/50HZ	1*φ350	3110	145	380V
LUT-CAJ4519T	CAJ4519T	1-3/4	220-240/1/50HZ	1*φ350	2980	138	220V
LUT-TAJ4519T	TAJ4519T	1-3/4	400V/3/50HZ	1*φ350	3110	145	380V
LUT-FH4522F	FH4522F	2	220-240V/1/50HZ	1*φ400	3900	180	220V
LUT-TFH4522F	TFH4522F	2	400V/3/50HZ	1*φ400	3900	190	380V
LUT-FH4524F	FH4524F	2	220-240V/1/50HZ	1*φ400	3900	180	220V
LUT-TFH4524F	TFH4524F	2	400V/3/50HZ	1*φ400	3900	190	380V
LUT-FH4531F	FH4531F	2-3/4	220-240V/1/50HZ	1*φ400	3900	180	220V
LUT-TFH4531F	TFH4531F	2-3/4	400V/3/50HZ	1*φ400	3900	190	380V
LUT-FH4540F	FH4540F	3-1/2	220-240V/1/50HZ	2*φ350	5960	276	220V
LUT-TFH4540F	TFH4540F	3-1/2	400V/3/50HZ	2*φ350	6220	290	380V
LUT-TAG4546T	TAF4546T	4	400V/3/50HZ	2*φ400	7800	380	380V
LUT-TAG4553T	TAF4553T	4-1/2	400V/3/50HZ	2*φ400	7800	380	380V
LUT-TAG4561T	TAF4561T	5	400V/3/50HZ	2*φ400	7800	380	380V
LUT-TAG4568T	TAF4568T	6	400V/3/50HZ	2*φ400	7800	380	380V
LUT-TAG4573T	TAF4573T	6	400V/3/50HZ	2*φ400	7800	380	380V
LUT-AJ5512E	AJ5512E	1	220-240V/1/50HZ	1*φ300	1664	85	220V
LUT-AJ5515E	AJ5515E	1-1/4	220-240V/1/50HZ	1*φ350	2980	138	220V
LUT-TAJ5515E	TAJ5515E	1-1/4	400V/3/50HZ	1*φ350	3110	145	380V
LUT-AJ5519E	AJ5519E	1-1/2	220-240V/1/50HZ	1*φ350	2980	138	220V
LUT-TAJ5519E	TAJ5519E	1-1/2	400V/3/50HZ	1*φ350	3110	145	380V
LUT-FH5524E	FH5524E	2	220-240V/1/50HZ	1*φ400	3900	180	220V
LUT-TFH5524E	TFH5524E	2	400V/3/50HZ	1*φ400	3900	190	380V
LUT-FH5531E	FH5531E	2-3/4	220-240V/1/50HZ	1*φ400	3900	180	220V
LUT-TFH5531E	TFH5531E	2-3/4	400V/3/50HZ	1*φ400	3900	190	380V
LUT-FH5540E	FH5540E	3-1/3	220-240V/1/50HZ	2*φ350	5960	276	220V
LUT-TFH5540E	TFH5540E	3-1/3	400V/3/50HZ	2*φ350	6220	290	380V
LUT-TAG5546E	TAG5546E	3-5/6	400V/3/50HZ	2*φ400	7800	380	380V
LUT-TAG5553E	TAG5553E	4-1/2	400V/3/50HZ	2*φ400	7800	380	380V
LUT-TAG5561E	TAG5561E	5	400V/3/50HZ	2*φ400	7800	380	380V
LUT-TAG5568E	TAG5568E	5-2/3	400V/3/50HZ	2*φ400	7800	380	380V
LUT-TAG5573E	TAG5573E	6	400V/3/50HZ	2*φ400	7800	380	380V





COMPTEK Compressor Condensing Units



LUCT Series

Products features:

- With Comptek Compressor
- Horse Power: From 1/10HP to 3/4HP
- Refrigerant: R134a, R404A, R22
- Application: L/MBP, H/MBP
- Air Cooled Units



LUCT SERIES
COMPTEK Compressor Condensing Units



Products Description:

LUCT Series are available for a broad spectrum of applications, Ranging from 1/10 to 3/4HP
In Low, medium and high temp. evaporation application.
With Comptek compressor guarantee the High efficiency level and very good running quality.
Low noise with low vibrations
High reliability in sever working conditions
Compact size widely used in small-sized showcase, Kitchen refrigerator, Ice machine, and small chillers, etc,



R22 L/MBP (220V-240V/50Hz) Application

Model	Compressor Model	Displ. (cm ³)	Power HP	Capacity(W)54.4°C/ 130 °F Condensing Temp.										COP W/W	
				-35°C	-30°C	-25°C	-23.3°C	-20°C	-15°C	-10°C	-6.7°C	-5°C	0°C	-23.3°C	-6.7°C
LUCT-M030E	MAMQD30EHY	3.00	1/8	76	85	117	129	161	181	245	258	284	310	1.25	1.75
LUCT-M035E	MAMQD35EHY	3.50	1/6	89	99	137	151	188	211	286	301	331	361	1.25	1.75
LUCT-M043E	MAFQD43EHY	4.30	1/5	109	122	168	185	231	259	351	370	407	444	1.2	1.7
LUCT-M052E	MAFQD52EHY	4.90	1/5	124	139	192	211	263	295	400	421	464	506	1.2	1.7
LUCT-M059E	MALQD59EHM	5.50	1/5+	140	156	215	237	296	331	449	473	520	568	1.25	1.75
LUCT-M065E	MALQD65EHM	6.20	1/4	157	176	243	267	333	373	507	533	587	640	1.23	1.7
LUCT-M075E	MALQD75EHM	7.20	1/4+	183	204	282	310	387	433	588	619	681	743	1.23	1.7
LUCT-M091E	MAQQD91EHM	8.80	3/8	202	227	312	343	429	480	652	686	755	824	1.2	1.7
LUCT-M110E	MAQQD110EHM	10.60	3/8+	219	245	338	371	464	519	705	742	816	890	1.2	1.7
LUCT-M128E	MATQD128EHM	12.12	9/16	250	280	386	424	530	594	806	848	933	1018	1.24	1.7
LUCT-M158E	MATQD158EHM	14.50	5/8	299	335	462	508	634	711	964	1015	1117	1218	1.18	1.68
LUCT-M168E	MATQD168EHM	16.80	3/4	347	388	535	588	735	823	1117	1176	1294	1411	1.26	1.72
LUCT-M180E	MATQD180EHM	17.40	3/4	359	402	554	609	761	853	1157	1218	1340	1462	1.24	1.74
LUCT-M210E	MATQD210EHM	20.40	3/4	421	471	650	714	893	1000	1357	1428	1571	1714	1.34	1.8

R134a L/MBP (220V-240V/50Hz) Application

Model	Compressor Model	Displ. (cm ³)	Power HP	Capacity(W)54.4°C/ 130 °F Condensing Temp.										COP W/W	
				-35°C	-30°C	-25°C	-23.3°C	-20°C	-15°C	-10°C	-6.7°C	-5°C	0°C	-23.3°C	-6.7°C
LUCT-M030H	MAWQD30HHP	3.0	1/10	35	49	63	70	90	112	152	170	188	210	0.85	1.9
LUCT-M035H	MAMQD35HHP	3.5	1/8	40	56	72	80	105	128	176	220	242	275	0.9	1.98
LUCT-M043H	MAMQD43HHP	4.3	1/7	47	65	83	110	121	149	216	270	297	338	0.95	2.01
LUCT-M052H	MAFQD52HHP	5.5	1/7	70	95	123	136	177	218	280	350	385	438	1.15	2.01
LUCT-M059H	MAFQD59HHP	6.2	1/6	85	115	149	165	215	265	312	390	430	488	1.2	2
LUCT-M065H	MAFQD65HHP	6.6	1/5	95	129	167	185	241	297	350	430	473	538	1.25	2.02
LUCT-M075H	MAFQD75HHP	7.6	1/5+	105	147	190	210	273	337	387	495	545	618	1.25	2.1
LUCT-M091H	MALQD91HHR	8.8	1/5+	115	160	207	245	300	368	425	530	583	655	1.37	2.12
LUCT-M110H	MALQD110HHR	10.6	1/4+	135	189	243	295	370	456	520	650	715	813	1.41	2.12
LUCT-M120H	MALQD120HHR	11.6	1/3	165	231	297	330	430	528	576	720	792	900	1.41	2.12
LUCT-M128H	MAQQD128HHR	12.3	3/8	180	252	324	360	468	576	740	925	1018	1156	1.31	2
LUCT-M142H	MAQQD142HHR	13.5	3/8+	195	273	351	390	507	624	800	1000	1100	1250	1.3	2
LUCT-M158H	MAQQD158HHR	15.3	3/8+	215	300	387	430	560	690	890	1120	1230	1400	1.3	2
LUCT-M168H	MAQQD168HHR	16.3	1/2	230	322	415	460	598	736	976	1220	1340	1530	1.3	2

R134a M/HBP (220V-240V/50Hz) Application

Model	Compressor Model	Displ. (cm ³)	Power HP	Capacity(W)54.4°C/ 130 °F Condensing Temp.										COPW/W	
				-20°C	-15°C	-10°C	-6.7°C	-5°C	0°C	5°C	7.2°C	10°C	15°C	-6.7°C	7.2°C
LUCT-H030H	HAMQD30HHP	3.0	1/8	90	120	150	190	210	225	273	300	345	420	1.90	2.18
LUCT-H035H	HAMQD35HHP	3.5	1/7	105	140	175	220	245	263	318	350	403	490	1.98	2.31
LUCT-H043H	HAMQD43HHP	4.3	1/6	130	172	215	270	300	323	391	430	495	600	2.01	2.36
LUCT-H052H	HAFQD52HHP	4.9	1/6+	145	196	245	310	343	368	446	490	563	686	2.01	2.37
LUCT-H059H	HAFQD59HHP	5.5	1/5	165	220	275	345	385	413	500	550	633	770	2.00	2.35
LUCT-H065H	HAFQD65HHR	6.2	1/5+	190	252	315	390	441	473	573	630	725	882	2.05	2.41
LUCT-H075H	HALQD75HHR	7.2	1/4	205	276	345	430	483	518	628	690	828	965	2.10	2.51
LUCT-H091H	HALQD91HHR	8.8	1/4+	250	332	415	530	580	623	747	830	955	1160	2.12	2.51
LUCT-H110H	HALQD110HHR	10.6	1/3+	305	411	515	650	720	771	935	1028	1182	1439	2.12	2.52
LUCT-H120H	HALQD120HHR	11.6	3/8+	385	516	645	830	900	960	1170	1290	1480	1770	2.10	2.50
LUCT-H128H	HAQQD128HHR	12.3	3/8+	395	528	660	830	924	990	1200	1320	1518	1848	2.02	2.36
LUCT-H142H	HAQQD142HHR	13.6	1/2	440	586	733	920	1026	1099	1333	1465	1685	1978	2.02	2.37
LUCT-H158H	HAQQD158HHR	15.3	1/2+	480	640	800	1008	1120	1200	1456	1600	1840	2160	2.02	2.37



R404A L/MBP (220V-240V/50Hz) Application

Model	Compressor Model	Displ. (cm ³)	Power HP	Capacity(W)54.4°C/ 130 °F Condensing Temp.												COP W/W	
				-35°C	-30°C	-25°C	-23.3°C	-20°C	-15°C	-10°C	-6.7°C	-5°C	0°C	-23.3°C	-6.7°C		
LUCT-M030K	MAMQD30KHXY	3.00	1/8	96	107	147	162	193	243	300	324	356	389	1.25	1.75		
LUCT-M035K	MAMQD35KHXY	3.50	1/6	112	125	172	189	225	284	350	378	416	454	1.25	1.75		
LUCT-M043K	MAFQD43KHXY	4.30	1/5	134	150	207	228	271	342	422	456	501	547	1.3	1.8		
LUCT-M052K	MAFQD52KHXY	4.90	1/5	153	171	236	260	309	390	480	519	571	623	1.3	1.8		
LUCT-M059K	MALQD59KHM	5.50	1/5+	178	200	275	303	360	454	560	605	666	726	1.35	2		
LUCT-M065K	MALQD65KHM	6.20	1/4	201	225	310	341	406	512	631	682	750	818	1.45	2		
LUCT-M075K	MALQD75KHM	7.20	1/4+	234	261	360	396	471	594	733	792	871	950	1.5	2.05		
LUCT-M091K	MAQQD91KHM	8.80	3/8	275	308	424	466	555	700	863	933	1026	1119	1.45	2		
LUCT-M110K	MAQQD110KHM	10.60	3/8+	331	371	511	562	669	843	1039	1124	1236	1348	1.45	2		
LUCT-M128K	MATQD128KHM	12.12	9/16	363	407	561	616	733	924	1140	1232	1355	1478	1.24	1.7		
LUCT-M158K	MATQD158KHM	14.50	5/8	346	387	533	586	697	879	1084	1172	1289	1406	1.28	1.72		
LUCT-M168K	MATQD168KHM	16.80	3/4	496	554	764	840	1000	1260	1554	1680	1848	2016	1.26	1.72		
LUCT-M180K	MATQD180KHM	17.40	3/4	466	521	718	789	939	1184	1460	1578	1736	1894	1.15	1.6		
LUCT-M210K	MATQD210KHM	20.40	3/4	537	601	828	910	1083	1365	1684	1820	2002	2184	1.34	1.8		

R404A M/HBP (220V-240V/50Hz) Application

Model	Compressor Model	Displ. (cm ³)	Power HP	Capacity(W)54.4°C/ 130 °F Condensing Temp.										COPW/W	
				-20°C	-15°C	-10°C	-6.7°C	-5°C	0°C	5°C	7.2°C	10°C	15°C	-6.7°C	7.2°C
LUCT-H030K	HAMQD30KHXY	3.00	1/8	203	226	236	273	292	358	433	471	518	612	1.9	2.2
LUCT-H035K	HAMQD35KHXY	3.50	1/6	236	264	275	319	341	418	506	550	604	714	1.95	2.25
LUCT-H043K	HAFQD43KHXY	4.30	1/5	290	324	338	392	419	513	621	675	743	878	1.95	2.25
LUCT-H052K	HAFQD52KHXY	4.90	1/5	331	369	385	446	477	585	708	769	846	1000	1.95	2.25
LUCT-H059K	HALQD59KHM	5.50	1/5+	371	414	432	501	535	656	794	864	950	1123	2	2.3
LUCT-H065K	HALQD65KHM	6.20	1/4	419	467	487	565	604	740	896	973	1071	1265	2	2.3
LUCT-H075K	HALQD75KHM	7.20	1/4+	486	543	565	656	701	859	1040	1130	1243	1470	2	2.3
LUCT-H091K	HAQQD91KHM	8.80	3/8	594	663	691	801	857	1050	1271	1382	1520	1796	1.9	2.2
LUCT-H110K	HAQQD110KHM	10.60	3/8+	716	799	832	965	1032	1265	1531	1664	1831	2163	1.9	2.2
LUCT-H128K	HATQD128KHM	12.12	9/16	745	831	866	1005	1074	1316	1593	1732	1905	2252	1.95	2.26
LUCT-H158K	HATQD158KHM	14.50	5/8	914	1020	1063	1233	1318	1616	1956	2126	2339	2764	1.9	2.2
LUCT-H180K	HATQD180KHM	17.40	3/4	1032	1152	1200	1392	1488	1824	2208	2400	2640	3120	1.9	2.17
LUCT-H210K	HATQD210KHM	20.40	3/4	1245	1390	1448	1679	1795	2200	2663	2895	3185	3764	1.9	2.2





Plug-in Type Kitchen Freezer Unit



LUKF Series



Products features:

With Tecumseh Compressor
Horse Power: From 1/4HP to 1HP
Refrigerant: R134a, R404A
Application: M/HBP, LBP
Air Cooled Units



LUKF SERIES
Plug-in Type Kitchen Freezer Unit



Products Description:

Economic advantages
Low installation cost
Low operating cost and low after sale cost

Innovative technology

Most cutting-edge food grade safety materials are used in the structure
Strong refrigeration performance
Ecological refrigeration fluid Forced ventilation
With high efficiency motor and low consumption compressors

Installation advantages

Modular design, rapid installation
Plug-in type connection, connected with plug-in
Evaporator inside the modular, no occupation of
ice cabinet space and increase the utility rate of sapce
Automatic evaporation of condensate water
Uniform device size&string universality

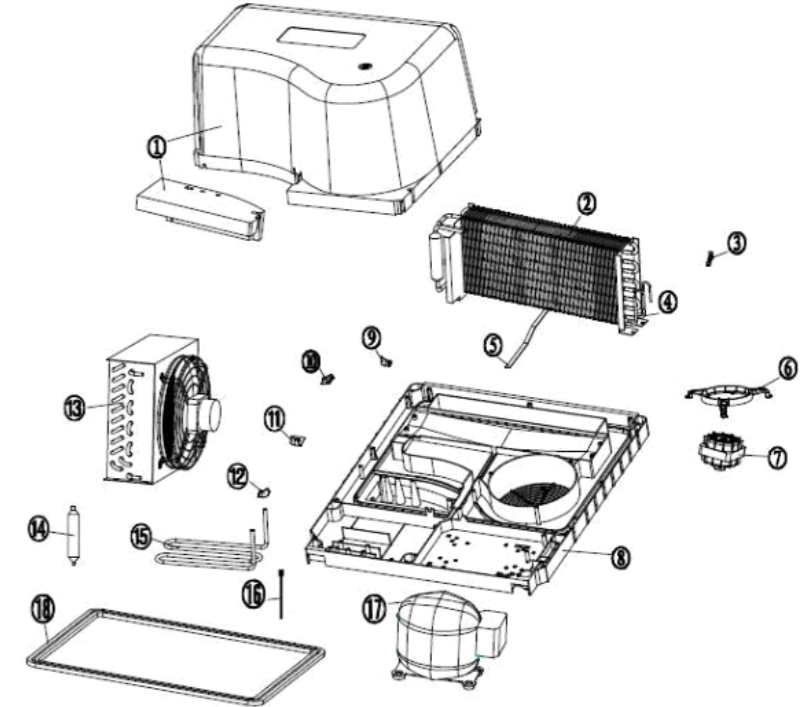


Technical data

Model	LUKF-U0025HS	LUKF-U0033HS	LUKF-U0050HS	LUKF-U0050KS	LUKF-U0063KS	LUKF-U0100KS	
Horse Power	1/4HP	1/3HP	1/2HP	1/2HP	5/8HP	1HP	
Compressor Model	THK4430Y	AE4440Y	AE4460Y	AE2420Z	AE2425Z	TYA2446ZKS	
Power Supply	220V-240V/1PH/50HZ						
Refrigerant	R134a	R134a	R134a	R404a	R404a	R404a	
Application Temp.(°C)	-2---+10	-2---+10	-2---+10	-22---0	-22---0	-22---0	
Suitable volume(L)	400---500	800---1000	1400---1600	400---500	800---1000	800---1000	
Cooling Capacity Qo(W)	Evaporating Temp (°C)	Capacity: W , Condensing Temp: 45°C, Ambient temperature: 32°C					
	-35°C				283	382	556
	-30°C				379	507	879
	-23.3°C				534	706	1378
	-20°C				617	809	1632
	-15°C	366	409	613	770	1000	2077
	-10°C	444	520	784	946	1215	2560
	-5°C	540	658	989			
	-0°C	679	821	1228			
	7.2°C	892	1115	1648			
10°C		1260	1853				

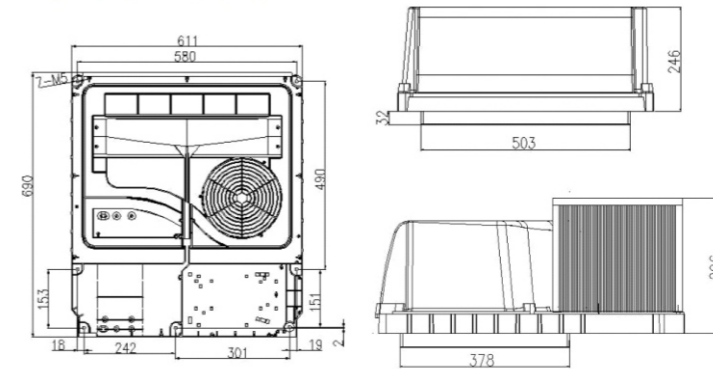
Unit Accessories:

01. Foam cover component
02. High-efficient evaporator(filed pipe optional)
03. Toggle clip of electrical heating tube
04. Eletrical heating pipe
05. Drainage strip for froast water
06. Evaporator motor bracket
07. High-efficient energy-saving motor(EMB motor)
08. High-strength chassis
09. Foram cover pressure part 1
10. Foram cover pressure part 2
11. Foram cover pressure part 3
12. Foram cover pressure part 4
13. High-efficient condenser(Rifled pip optional)
14. High-efficient filter
15. Exhaust pipe with frost water evaporation
16. One-way valve
17. Imported Tecumseh cpmresspor (Secop,Embraco optional)
18. Chassis sealing strip

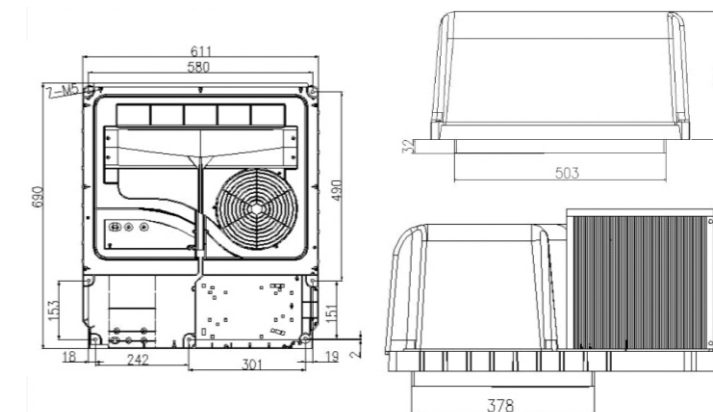


Drawing

LUKF-U0025HS
LUKF-U0033HS
LUKF-U0050HS



LUKF-U0050KS
LUKF-U0063KS
LUKF-U0100KS





Monoblock Condensing units



LUMB Series

Products features:

With Embraco, Maneurop, Tecumseh Compressor
 LUMB-W Horse Power: From 1/2HP to 2-1/2HP
 LUMB-R Horse Power: From 1/2HP to 2-1/2HP
 Refrigerant: R404A
 Application: M/HBP, M/LBP
 Mono Block Units



LUMB SERIES
MonoBlock Condensing Units



Products Description

Monoblock commercial compact refrigeration Wall equipment for cold storage rooms, which have a small volume, and for use in medium and low temperatures. The compressors are hermetic and the refrigerant used is R404A.

Advantages:

- Hot gas defrost.
- Thermostatic expansion valve.
- High performance.
- Quick and easy assembling.
- Equipment with reduced refrigerant charge, less than 2.5kg.



LUMB-W
Wall Mounted Units

LUMB-W

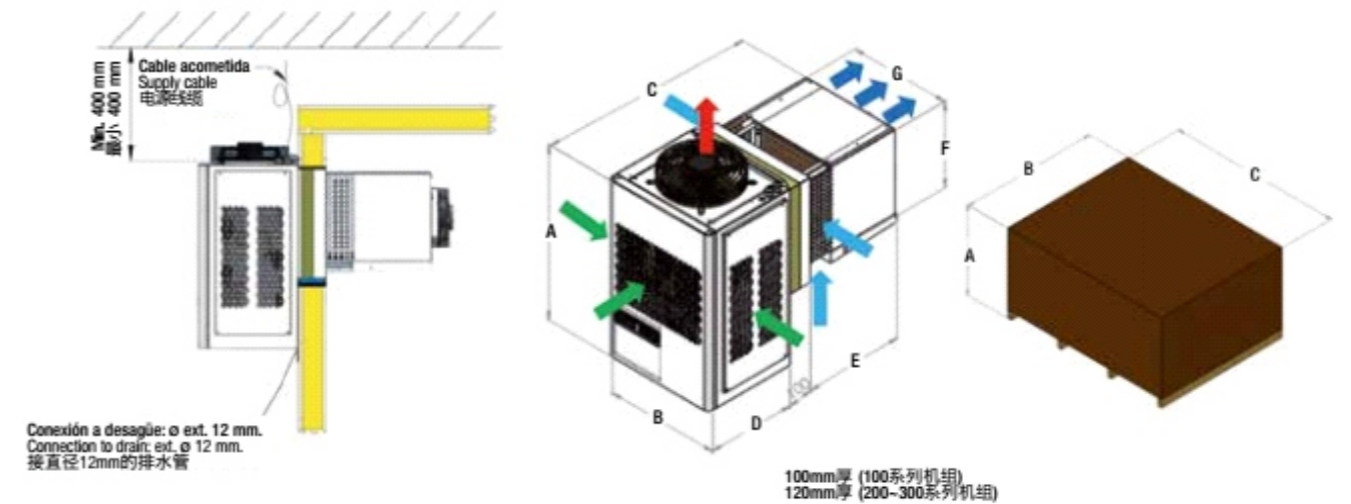
COMPACT WALL-MOUNTED R404A

Series	Model	Refrigeration capacity	Cooling cubage	Voltage	Compressor		R-404 Kg	Nominal consumption	Max.load current	Flow condens. evapora.	KGS
		W	m ³	V	HP	kW		A	A	m ³ /h	
0°C~10°C											
100	LUMB-W1006M1Z	1205	7~9	230/1/50	1/2	0.4	<1	5.1	6	1100-950	65
	LUMB-W1007M1Z	1286	9~12	230/1/50	1/2	0.4	<1	5.7	6.6	1100-950	65
200	LUMB-W2009M1Z	1855	14~18	230/1/50	1	0.7	<1.5	6.2	7.6	1920-1900	95
	LUMB-W2015M5Z	2173	21~29	400/3/50	1 1/2	1.1	<1.5	4.1	4.7	1920-1900	95
300	LUMB-W3017M5Z	2981	29~37	400/3/50	1 3/4	1.3	<2	4.1	4.8	1920-1920	100
	LUMB-W3020M5Z	3879	35~45	400/3/50	2	1.5	<2	5.1	6	1920-1920	100
-25°C ~ -15°C											
100	LUMB-W1010L1Z	940	4~6	230/1/50	1	0.7	<1	5.2	6.2	1100-950	70
	LUMB-W1015L1Z	1200	6~9	230/1/50	1 1/2	1.1	<1	5.5	7.3	1100-950	70
200	LUMB-W2015L1Z	1280	8~11	230/1/50	1 1/2	1.1	<1.5	5.7	7.3	1920-1900	100
	LUMB-W2017L5Z	1342	10~15	400/3/50	1 3/4	1.3	<1.5	3.8	4.5	1920-1900	100
300	LUMB-W3017L5Z	1621	15~22	400/3/50	2	1.5	<2	3.4	4.1	1920-1920	105
	LUMB-W3020L5Z	2229	19~27	400/3/50	2 1/2	1.8	<2	5	5.9	1920-1920	105

Dimensions

COMPACT WALL-MOUNTED R404A

Series	Unit							Panel cut		Unit+EMB./PACK			kg
	A	B	C	D	E	F	G	H	L	A	B	C	
100	730	445	910	360	455	345	390	415	400	900	505	965	80
200	800	685	1000	410	470	345	620	640	410	990	730	1055	110
300	800	735	1050	410	515	410	670	690	475	990	780	1105	120



Products Description

Monoblock commercial compact refrigeration roof equipment for cold storage rooms, which have a small volume. They are mounted on the ceiling of the chamber leaving the interior volume thereof totally free. For use in medium and low temperatures. The compressors are hermetic and the refrigerant used is R404A.

Advantages:

- Hot gas defrost.
- Thermostatic expansion valve.
- High performance.
- Quick and easy assembling.
- Equipment with reduced refrigerant charge, less than 2.5kg.



**LUMB-R
Roof Top Units**



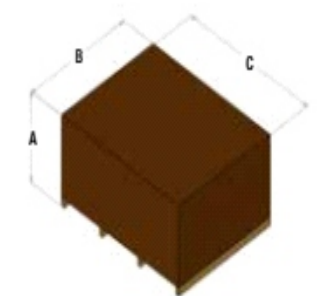
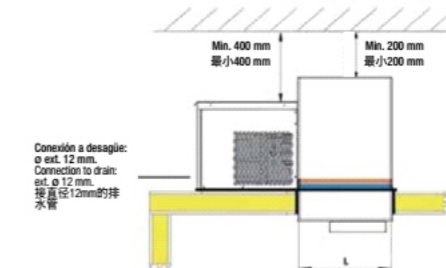
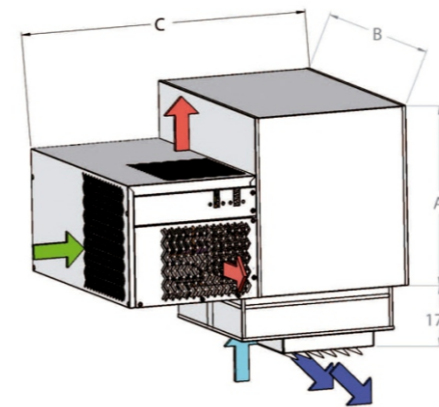
COMPACT ROOF TOP R404A

LUMB-R

Series	Model	Refrigeration capacity	Cooling cubage	Voltage	Compressor		R-404 Kg	Nominal consumption	Max.load current	Flow condens. evapora.	KGS
		W	m ³	V	HP	kW				m ³ /h	
0°C~10°C											
100	LUMB-R1007M1Z	1286	7~9	230/1/50	1/2	0.4	<1	5.7	6.6	1100-950	95
200	LUMB-R2009M1Z	1855	14~18	230/1/50	1	0.7	<1.5	6.2	7.6	1920-1900	100
	LUMB-R2015M5Z	2173	21~29	400/3/50	1 1/2	1.1	<1.5	4.1	4.7	1920-1900	125
300	LUMB-R3020M5Z	3879	35~45	400/3/50	2	1.5	<2	5.1	6	1920-1920	140
-25°C~-15°C											
100	LUMB-R1010L1Z	940	4~6	230/1/50	1	0.7	<1	5.2	6.2	1100-950	100
200	LUMB-R2015L1Z	1280	8~11	230/1/50	1 1/2	1.1	<1.5	5.7	7.3	1920-1900	130
	LUMB-R2017L5Z	1342	10~15	400/3/50	1 3/4	1.3	<1.5	3.8	4.5	1920-1900	130
300	LUMB-R3020L5Z	2229	19~27	400/3/50	2 1/2	1.8	<2	5	5.9	1920-1920	145

Dimensions

Series	Unit			Panel cut		Unit+EMB./PACK.			kg
	A	B	C	H	L	A	B	C	
100	50	708	832	480	460	950	790	900	110
200	502	873	928	690	460	950	930	1010	140
300	640	878	1050	655	575	1080	940	1150	155





Semi-Industrial Cold Room Condensing Units



LUSI Series

Products features:

With Embraco, Maneurop, Tecumseh Compressor
LUSI-W Horse Power: From 3-1/2HP to 10HP
LUSI-S Horse Power: From 4HP to 15HP
Horse Power: From 1/2HP to 2-1/2HP
Refrigerant: R404A
Application: M/HBP, M/LBP
Mono Block Units

embraco

Maneurop

Tecumseh

LUSI SERIES

Semi-Industrial Cold Room Condensing Units



Products Description

Semi-industrial compact monoblock refrigeration equipment for cold storage room, which have medium volume, and for use in medium and low temperatures.

Advantages:

- Thermostatic expansion valve.
- Hot gas defrost.
- High performance.
- Quick and easy assembling.
- Equipment with reduced refrigerant charge.



LUSI-W
Semi-Industrial Wall-Mounted



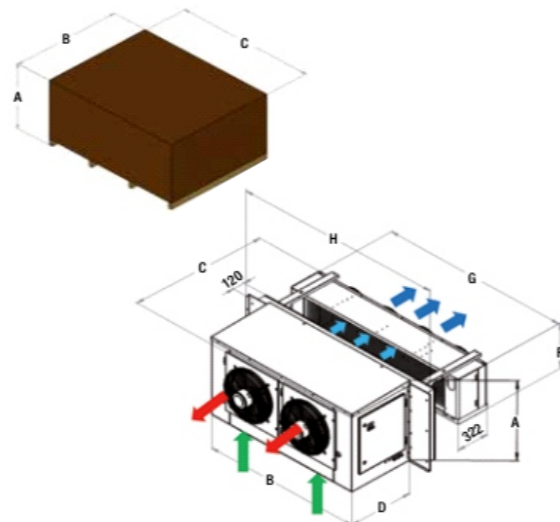
SEMI-INDUSTRIAL WALL-MOUNTED R404A

Series	Model	Refrigeration capacity W	Cooling cubage m ³	Power V	Compressor		R-404 Kg	Nominal consumption A	Max.load current A	Flow condens. evapora. m ³ /h	Kg
					HP	kW					
0°C ~ 10°C											
500	LUSI-W5035M5ZH	6170	75~100	400/3/50	3 1/2	2.6	<7	7.2	10.4	5580-7030	195
600	LUSI-W6040M5ZH	7650	100~130	400/3/50	4	3	<11	7.5	11.4	6300-8200	250
700	LUSI-W7065M5ZH	11930	175~210	400/3/50	6 1/2	4.8	<12	12.5	17.3	11160-14800	325
-25°C ~ -15°C											
500	LUSI-W5050L5ZH	4380	50~70	400/3/50	5	3.7	<7	8.4	11.4	5580-7030	205
600	LUSI-W6075L5ZH	6670	105~130	400/3/50	7 1/2	5.5	<11	10.8	15.4	6300-8200	270
700	LUSI-W7100L5ZH	9420	150~200	400/3/50	10	7.4	<12	14.1	19	11160-14800	340

Dimensions

Series	Unit						
	A	B	C	D	F	G	H
500	770	1005	1590	590	635	1095	1275
600	770	1175	1590	590	565	1486	1665
700	810	1570	1650	690	635	1880	2065

Series	Panel cut		Series	Unit+EMB./PACK			
	H	L		A	B	C	kg
500	1145	695	500	1050	1750	1400	240
600	1540	670	600	1050	1750	1750	310
700	1910	725	700	1150	1750	2155	380



LUSI-S
Semi-Industrial Split Units

Products Description

Split semi-industrial refrigeration equipment for cold storage rooms, which have medium volume, and for use in medium and low temperatures.

Advantages:

- Thermostatic expansion valve.
- High performance.
- Versatile assembling.
- Equipment with reduced refrigerant charge.

- Pre-charged with Nitrogen.
- "Hermetic compressor(H).(Series 600-700 and 800 cool.)."
- "Semi hermetic compressor(s)(Series 800 freez)."
- Expansion by Thermostatic valve.
- Liquid receiver with safety valve.
- Ceramic filter dryer.

LUSI-S

SEMI-INDUSTRIAL SPLIT R-404A

Series	Model	Refrigeration capacity W	Cooling cubage m ³	Power V	Compressor		Nominal consumption A	Max.load current A	Liq in	Asp/S uct in	Flow condens. evapora. m ³ /h	Kg
					HP	kW						
0°C ~ 10°C												
600	LUSI-S6040M5ZH	7650	100~130	400/3/50	4	3	9.7	11.4	1/2	1 1/8	6300-8200	250
700	LUSI-S7065M5ZH	11930	175~210	400/3/50	6 1/2	4.8	13.8	17.3	5/8	1 3/8	11160-14800	315
800	LUSI-S8100M5ZH	18980	300~380	400/3/50	10	7.5	19	24.2	7/8	1 3/8	16740-21090	445
-25°C ~ -15°C												
600	LUSI-S6075L6ZH	6670	105~130	400/3/50	7 1/2	5.5	12.5	15.4	1/2	1 3/8	6300-8200	270
700	LUSI-S7100L5ZH	9420	150~200	400/3/50	10	7.4	25.4	19	5/8	1 3/8	11160-14800	335
800	LUSI-S8150L5ZS	16510	340~420	400/3/50	15	11.3	29.5	33	5/8	1 5/8	16740-21090	610

Dimensions

Series	Unit						
	A	B	C	D	F	G	H
500	770	1005	1590	590	635	1095	1275
600	770	1175	1590	590	565	1486	1665
700	810	1570	1650	690	635	1880	2065

Serie	Panelcut		Series	Unit+EMB./PACK			
	H	L		A	B	C	kg
500	1145	695	500	1050	1750	1400	240
600	1540	670	600	1050	1750	1750	310
700	1910	725	700	1150	1750	2155	380

